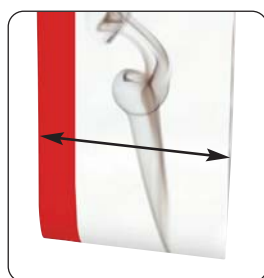




Give your promotion maximum impact with this stylish and eye-catching motorised banner system.

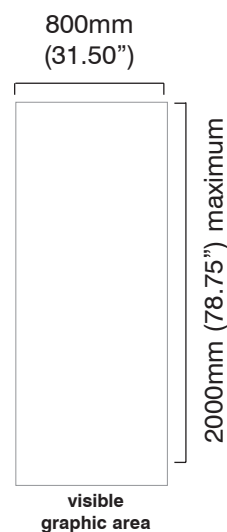
## features & benefits

- Wall or ceiling mounted
- Continuous scrolling loop graphic
- Compact neat styling
- Silver anodised
- 4000mm (h) x 800mm (w) wide looped graphic, visible area up to 2000mm approx
- Includes mains lead & plug



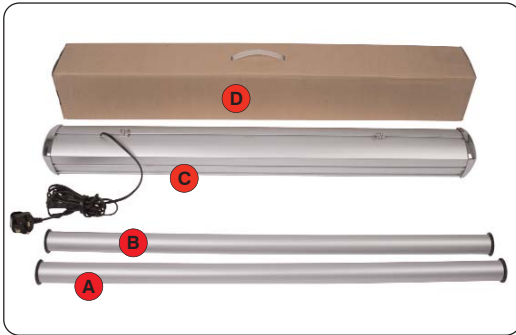
### Graphic Finishing Notes:

- The graphic should be 'butt' joined to create the loop required without an overlap.
- The butt joint should be completed with a diagonal join tapering down by approx 20mm (0.8") over the width of the graphic.
- The diagonal join is recommended as this helps the graphic negotiate the rollers when the Zodiac is in use.
- Join the free ends using 2" (50mm) wide thin single sided adhesive tape, applied onto the inside of the loop.
- The graphic material used should be as flexible as possible, 150 micron polyester film is recommended.



hardware specifications	graphic specifications	additional info
<p>Hardware Dimensions (mm) 100 (h) x 900 (w) x 85 (d) approx 3.9" (h) x 35.4" (w) x 3.35" (d)</p> <p>Weight: 2.3kg (5.1lbs) approx</p>	<p>Visible Graphic Dimensions (mm): 2000 (h) (max) x 800 (w) approx 78.75" (h) (max) x 31.5" (w)</p> <p>Actual Graphic Dimensions (mm): 4000 (h) (max) x 800 (w) approx 157.5" (h) (max) x 31.5" (w)</p>	<p>Included in kit: Drive unit and bottom guide roller</p> <p>Availability: Silver</p> <p>Recommended accessories: AB120A 850 x 150mm dia Banner tube (to transport graphics safely)</p>

# Assembly Instructions



Kit includes:  
Guide roller (A), Drive unit roller (B), Drive unit (C)  
and Carry box with handle (D)



1 Remove the drive roller (B) from the drive unit, pushing it towards the spring end of the drive unit.



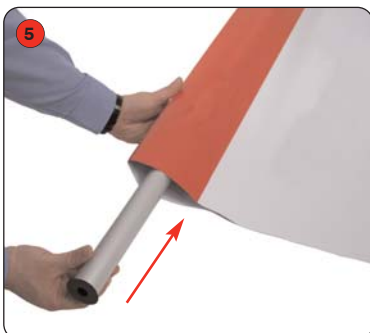
2 Slide the drive roller inside the looped graphic.



3 Take the graphic and roller and secure into the drive unit.



4 Locate the drive roller into the spring end of the drive unit, compress the spring and fit other end of drive roller.



5 Take the guide roller (A) and slide through the looped graphic. The guide roller will hang freely and act as a weight.



6 Suspend the drive unit from a ceiling or wall using the loops provided. (Wall fixings not supplied)