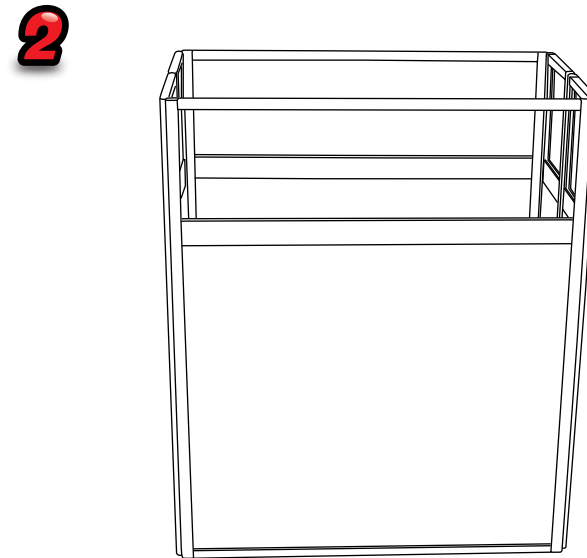
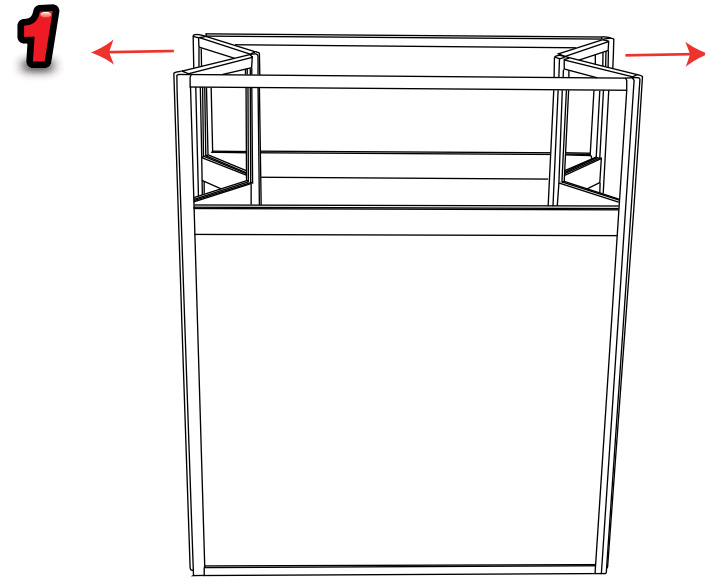


Gear Edge Display Counter

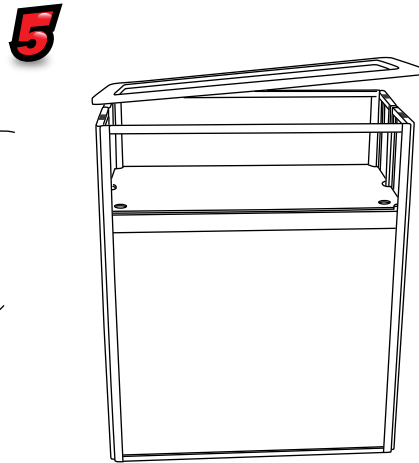
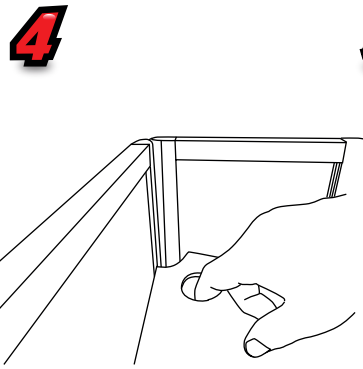
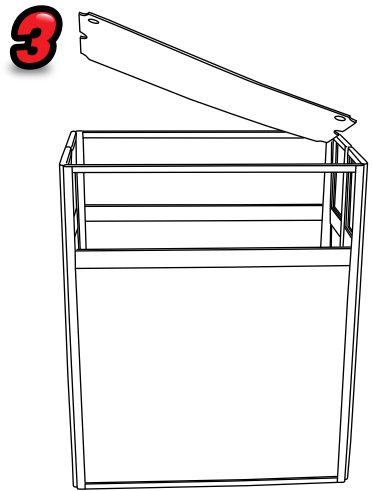


Frame only: 15.00kg
Frame With infill: 17.10kg

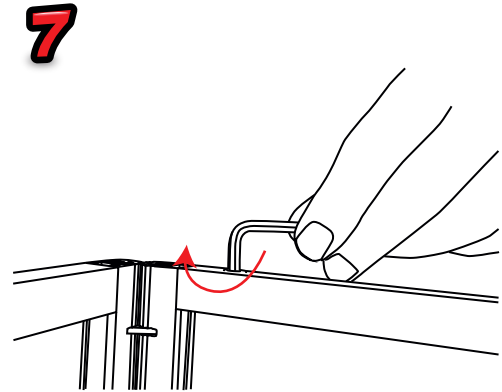
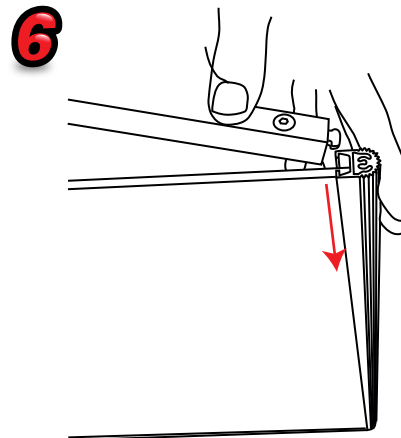
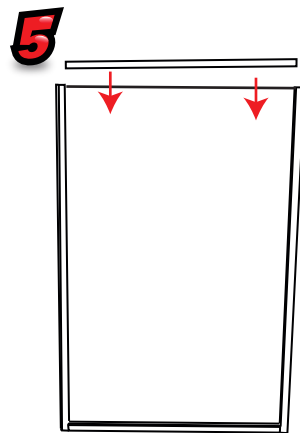
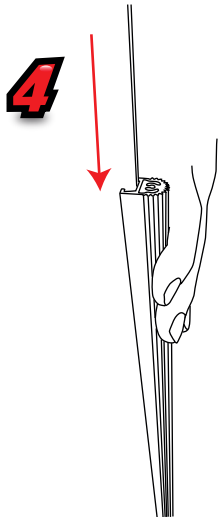
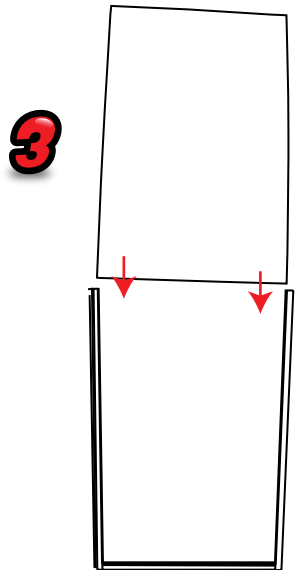
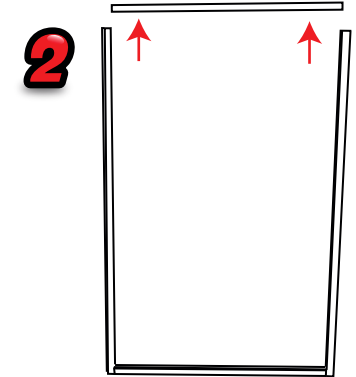
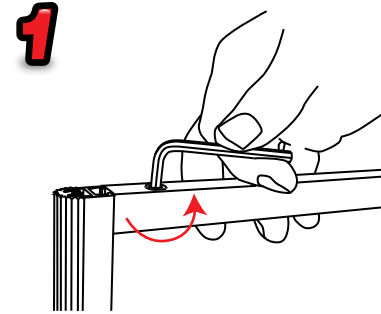


Visible Graphic Area
Front Panel: 622mm(h) x 685mm(w)
Side panel: 622mm(h) x 136mm(w)

Gear Edge Display Counter



Inserting Graphics
⚠ Please note when inserting graphic turn the unit upside down for faster graphic installation



⚠ Included in your kit is a pack of 60 x 50mm soft hollow plastic packers which if required, can be inserted into the inner frame channel filling the void behind your graphic panel

Important- Please be careful not to place fingers near the gear edge mechanism

Gear Edge Display Counter

Installation